

POWER CORD Products

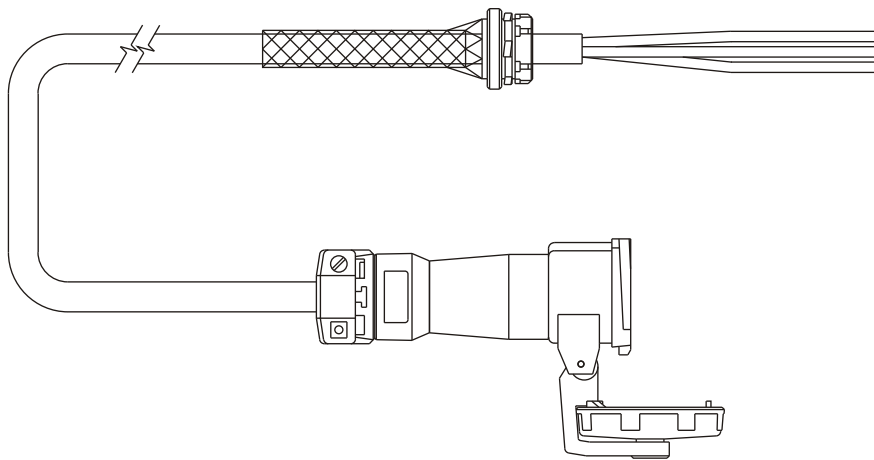
- Power Cords
- Control Cords
- Wiring Devices

MANUFACTURED BY



AUTOMATED CONTROLS & SYSTEMS, LLC

925 A.E.C. Drive
Wood Dale, Illinois 60191-1143
Phone (630) 238-1516
Fax (630) 860-2934
www.a-c-s.com



Identification and Application
CATALOG 8

Contents

1. Pin & Sleeve Cords and Mini OEP Box *(OEP = Overhead Equipment Power)*

<i>Description</i>	<i>Model Number</i>	<i>Part Number</i>	<i>Page</i>
20 AMP Yellow Pin & Sleeve Drop-Cord	20-PSC-3-125V	12360-0010	1
20 AMP Orange Pin & Sleeve Drop-Cord	20-PSC-4	12360-0020	2
30 AMP Blue Pin & Sleeve Drop-Cord	30-PSC-3	12360-0030	3
20 AMP Blue Pin & Sleeve Drop-Cord	20-PSC-3	12360-0040	4
Mini OEP Box	OEP-6	12360-0100	5
30 AMP Blue 4 Wire Pin & Sleeve Drop-Cord	30-PSC-4	12360-0120	6
30 AMP Blue 4 Wire Pin & Sleeve Power Cord	30-PSP-4	12360-0121	7

2. Low Profile Pin & Sleeve Power Cords *(Pin & Sleeve = P&S)*

30A Blue Low Profile P&S Power Cord	30-LPPS-4	12365-0040	8
60A Blue Low Profile P&S Power Cord	60-LPPS-4	12365-0060	9

3. Twist-Lock and Straight Blade Cords *(Twist-Lock = T-L, Straight Blade = S/B)*

30 AMP T-L 5 Wire High Voltage Power Cord	30-T-5HV	12370-0025	10
20 AMP T-L 5 Wire High Voltage Power Cord	20-T-5HV	12370-0027	11
20 AMP S/B Angle 4 Wire Power Cord Set	20-R-4W	12370-0034	12
3 Wire Ansul Control Cord	20-FC-3	12370-0037	13
Remote Condenser Cord Set	15-C-3	12370-0040	14
30 AMP S/B Angle 4 Wire Power Cord Set	30-R-4W	12370-0045	15
30 AMP T-L 3 Wire Power Cord	30-T-3	12370-0070	16
20 AMP T-L 3 Wire Power Cord	20-T-3	12370-0072	17
30 AMP T-L 4 Wire Extra Long Power Cord	30-T-4XL	12370-1520	18
30 AMP T-L 5 Wire Extra Long Power Cord	30-T-5HV-XL	12370-1525	19
5 Wire Extra Long Ansul Control Cord	20-FC-5XL	12370-1530	20
50 AMP S/B 4 Wire Extra Long Power Cord	50-S-4XL	12370-1556	21
60 AMP S/B 4 Wire Extra Long Power Cord	60-S-4XL	12370-1562	22
30 AMP T-L 3 Wire Extra Long Power Cord	30-T-3XL	12370-1570	23

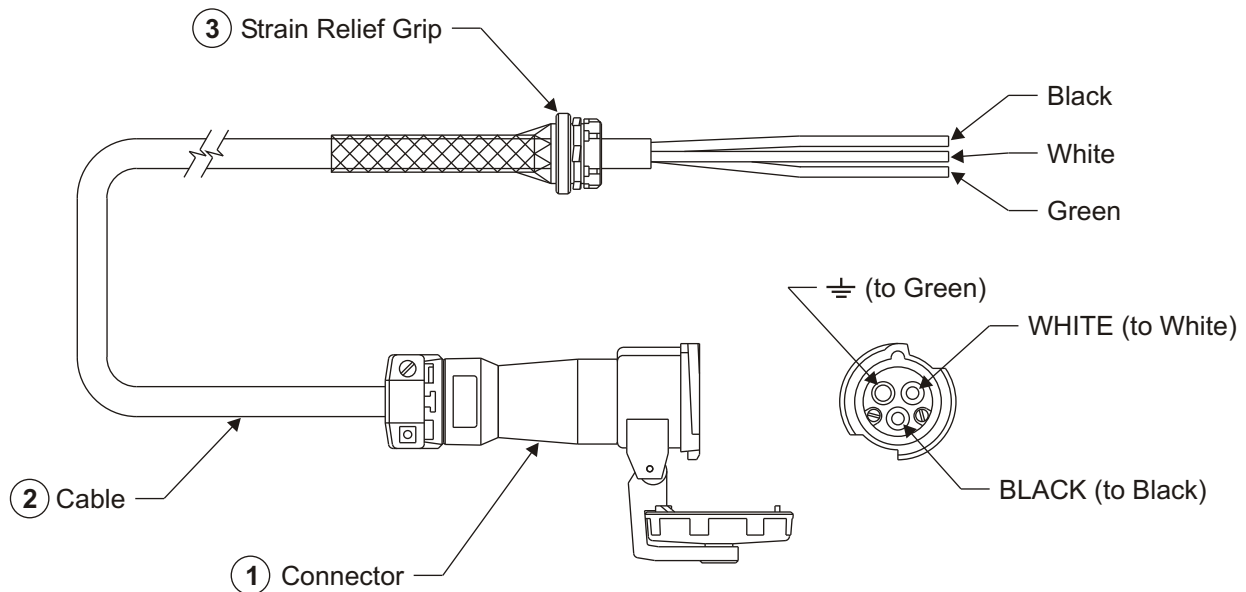
4. Miscellaneous P&S Products and Wiring Devices *(P&S = Pin & Sleeve)*

<i>Description</i>	<i>Catalog Number</i>	<i>Part Number</i>	<i>Page</i>
Angle Adapter for 20/30A P&S Receptacles	AA2030PS (HUBBELL)	02510-0028	24
Metallic Back Box for 20/30A P&S Receptacles	BB201W (HUBBELL)	02510-0029	25

1. Pin & Sleeve Cords and Mini OEP Box (OEP = Overhead Equipment Power)

20 AMP Yellow Pin & Sleeve Drop-Cord

Model Number	20-PSC-3-125V
Part Number	12360-0010
Cord Overall Length	6 Feet 6 Inches
Equipment Application	<ul style="list-style-type: none"> • APW WYOTT Nugget Cabinet Model No. NC-88 • HENNY PENNY Holding Cabinet Model No. HC-934 • PRINCE CASTLE Bun Toaster Model No. 212, 213, 222 • WELLS Marinator Model No. MDW-1, MDW-2, MDW-3
Electrical Ratings	20A 125V 2 Pole 3 Wire Grounding
Wiring Device Type	Pin & Sleeve
Wiring Device Description	HUBBELL Connector Catalog No. 320C4W (item 1)
Cable Type	12/3 STO 60°C (item 2)
Strain Relief Grip	Kellems HUBBELL Catalog No. 073-03-1203 (item 3)

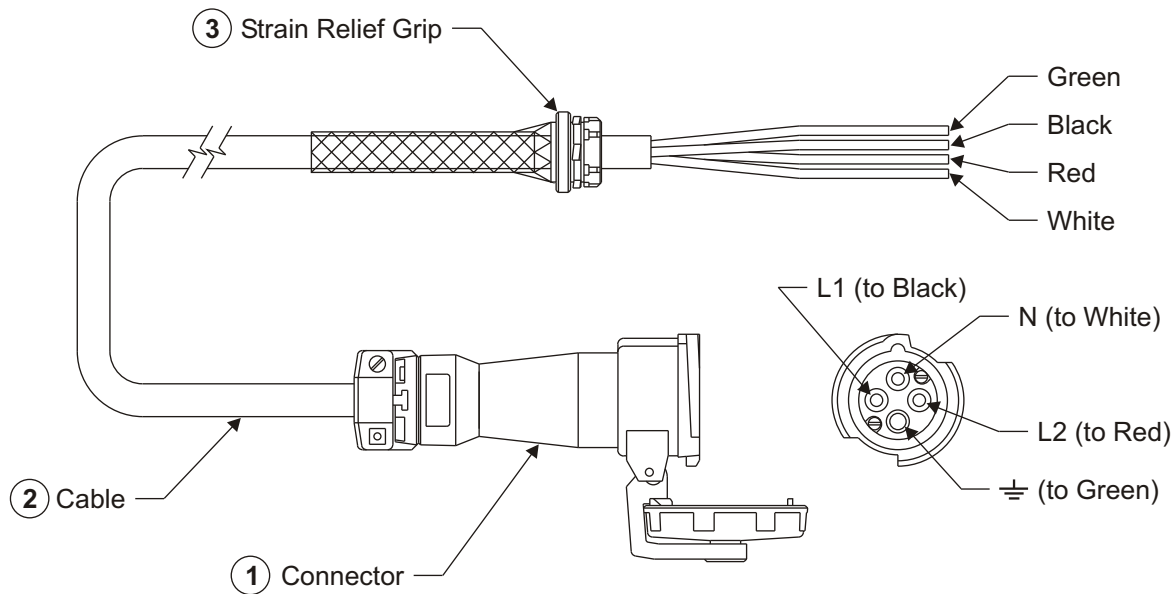


Options	Description	Model/Catalog Number	Part Number
	20 AMP Yellow OEP Drop-Cord and Plug	20-PSCP-3-125V	12360-0015
	20 AMP Yellow Connector (item 1)	320C4W (HUBBELL)	02510-0010
	20 AMP Yellow Plug	320P4W (HUBBELL)	02510-0020

1. Pin & Sleeve Cords and Mini OEP Box (OEP = Overhead Equipment Power)

20 AMP Orange Pin & Sleeve Drop-Cord

Model Number	20-PSC-4
Part Number	12360-0020
Cord Overall Length	6 Feet 6 Inches
Equipment Application	<ul style="list-style-type: none"> • APW WYOTT Dual Access Biscuit Cabinet Model No. DABC • PRINCE CASTLE Big Mac Toaster Model No. 412, 416-LP • WELLS Dual Access Biscuit Cabinet Model No. DABC-1-PSP
Electrical Ratings	20A 125/250V 3 Pole 4 Wire Grounding
Wiring Device Type	Pin & Sleeve
Wiring Device Description	HUBBELL Connector Catalog No. 420C12W (item 1)
Cable Type	12/4 STO 60°C (item 2)
Strain Relief Grip	Kellems HUBBELL Catalog No. 073-03-1203 (item 3)

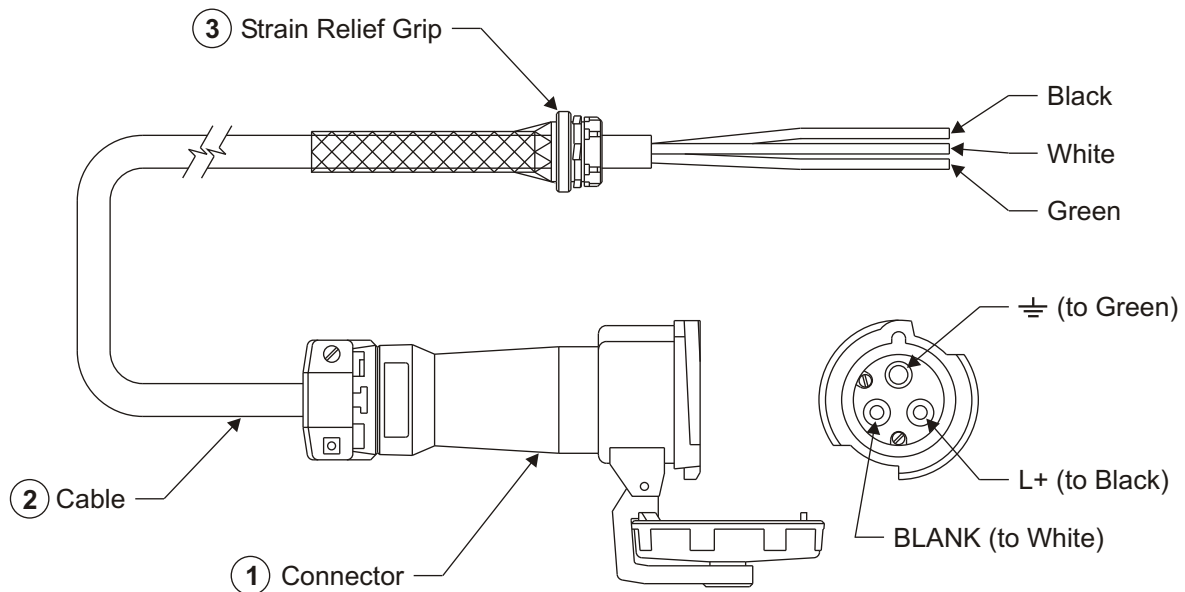


Options	Description	Model/Catalog Number	Part Number
	20 AMP Orange OEP Drop-Cord and Plug	20-PSCP-4	12360-0025
	20 AMP Orange Connector (item 1)	420C12W (HUBBELL)	02510-0030
	20 AMP Orange Plug	420P12W (HUBBELL)	02510-0040

1. Pin & Sleeve Cords and Mini OEP Box (OEP = Overhead Equipment Power)

30 AMP Blue Pin & Sleeve Drop-Cord

Model Number	30-PSC-3
Part Number	12360-0030
Cord Overall Length	6 Feet 6 Inches
Equipment Application	ANTUNES Muffin Toaster Model No. HEMT-12
Electrical Ratings	30A 250V 2 Pole 3 Wire Grounding
Wiring Device Type	Pin & Sleeve
Wiring Device Description	HUBBELL Connector Catalog No. 330C6W (item 1)
Cable Type	10/3 STO 60°C (item 2)
Strain Relief Grip	Kellems HUBBELL Catalog No. 073-03-1203 (item 3)

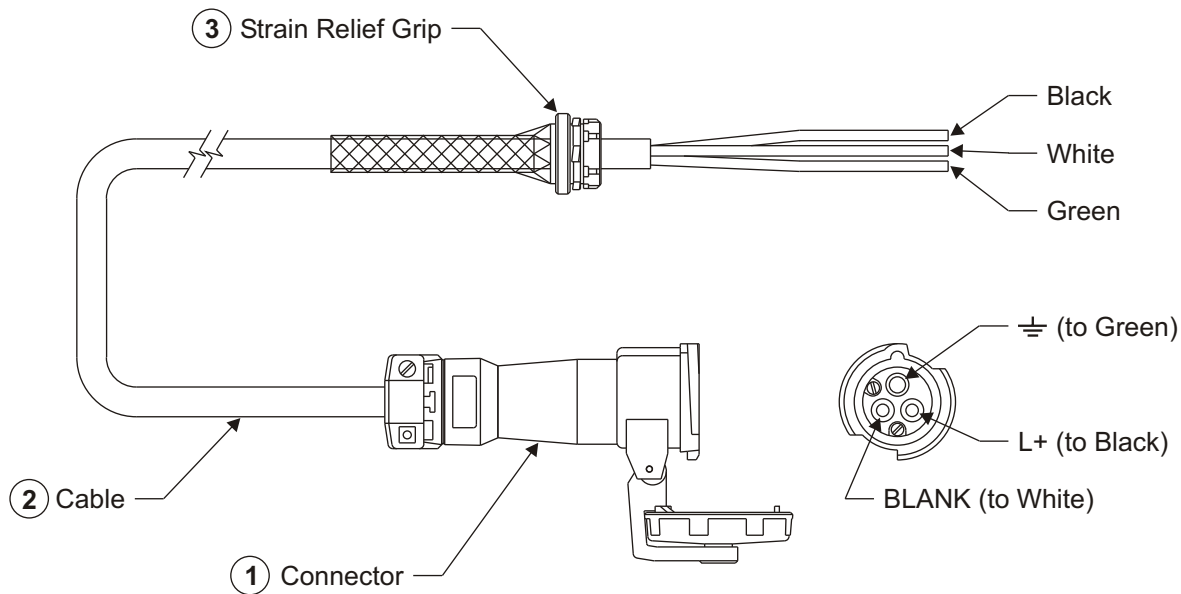


Options	Description	Model/Catalog Number	Part Number
	30 AMP Blue OEP Drop-Cord and Plug	30-PSCP-3	12360-0035
	30 AMP Blue Connector (item 1)	330C6W (HUBBELL)	02510-0050
	30 AMP Blue Plug	330P6W (HUBBELL)	02510-0060

1. Pin & Sleeve Cords and Mini OEP Box (OEP = Overhead Equipment Power)

20 AMP Blue Pin & Sleeve Drop-Cord

Model Number	20-PSC-3
Part Number	12360-0040
Cord Overall Length	6 Feet 6 Inches
Equipment Application	<ul style="list-style-type: none"> • AMANA Microwave Oven • ANTUNES Egg Cooker Model No. MEC-6 • Mac Toasters (220V) • Regular Toasters (220V)
Electrical Ratings	20A 250V 2 Pole 3 Wire Grounding
Wiring Device Type	Pin & Sleeve
Wiring Device Description	HUBBELL Connector Catalog No. 320C6W (item 1)
Cable Type	12/3 STO 60°C (item 2)
Strain Relief Grip	Kellems HUBBELL Catalog No. 073-03-1203 (item 3)

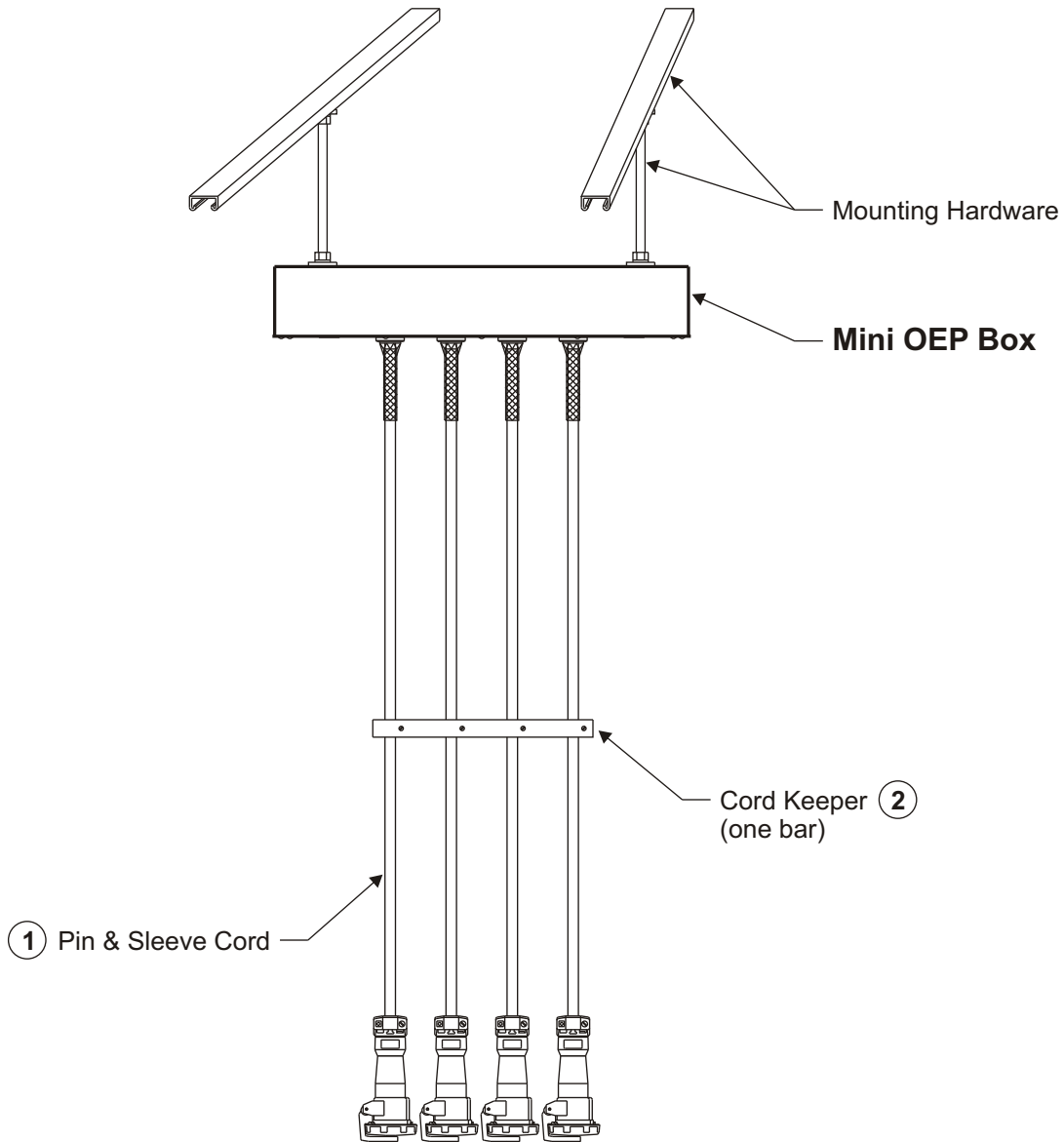


Options	Description	Model/Catalog Number	Part Number
	20 AMP Blue OEP Drop Cord and Plug	20-PSCP-3	12360-0045
	20 AMP Blue Connector (item 1)	320C6W (HUBBELL)	02510-0080
	20 AMP Blue Plug	320P6W (HUBBELL)	02510-0090

1. Pin & Sleeve Cords and Mini OEP Box (OEP = Overhead Equipment Power)

Mini OEP Box with Mounting Hardware

Model Number	OEP-6
Part Number	12360-0100
Box Overall Size (LxHxD)	24.00 x 6.00 x 4.00 Inches
Equipment Application	Pin & Sleeve Cords (item 1, up to 6 cords)

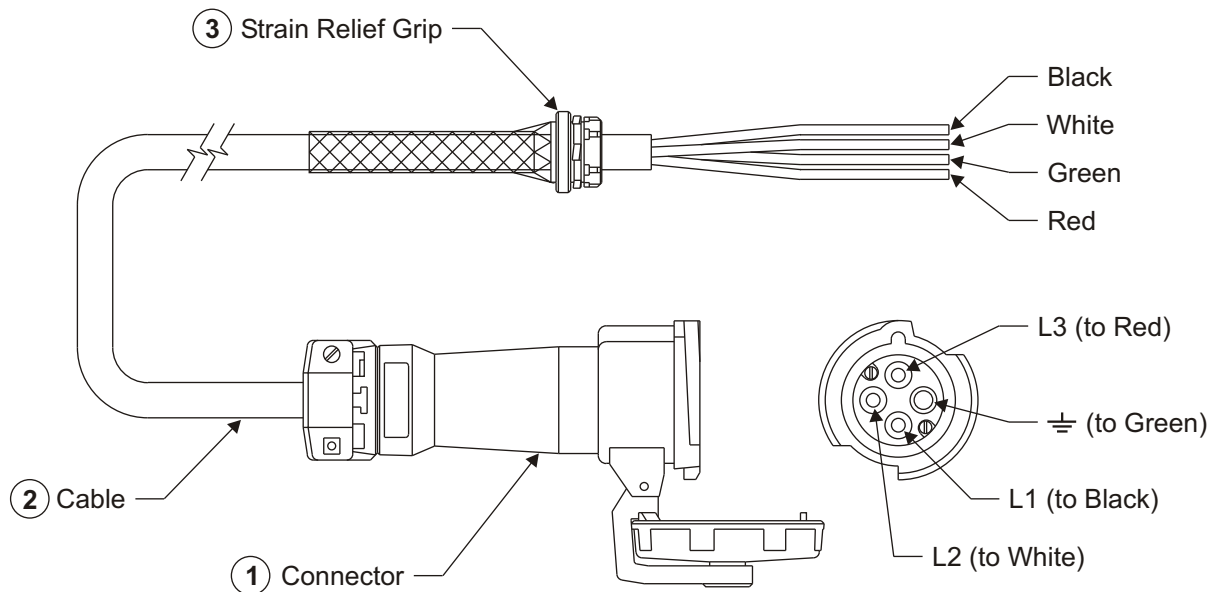


Option	Description	Model Number	Part Number
	Cord Keeper (item 2, two spacer bars per set)	CK-1	12360-0075

1. Pin & Sleeve Cords and Mini OEP Box (OEP = Overhead Equipment Power)

30 AMP Blue 4 Wire Pin & Sleeve Drop-Cord

Model Number	30-PSC-4
Part Number	12360-0120
Cord Overall Length	6 Feet 6 Inches
Equipment Application	ANTUNES Toaster
Electrical Ratings	30A 3Ø 250V 3 Pole 4 Wire Grounding
Wiring Device Type	Pin & Sleeve
Wiring Device Description	HUBBELL Connector Catalog No. 430C9W (item 1)
Cable Type	10/4 STO 60°C (item 2)
Strain Relief Grip	Kellems HUBBELL Catalog No. 073-03-1204 (item 3)

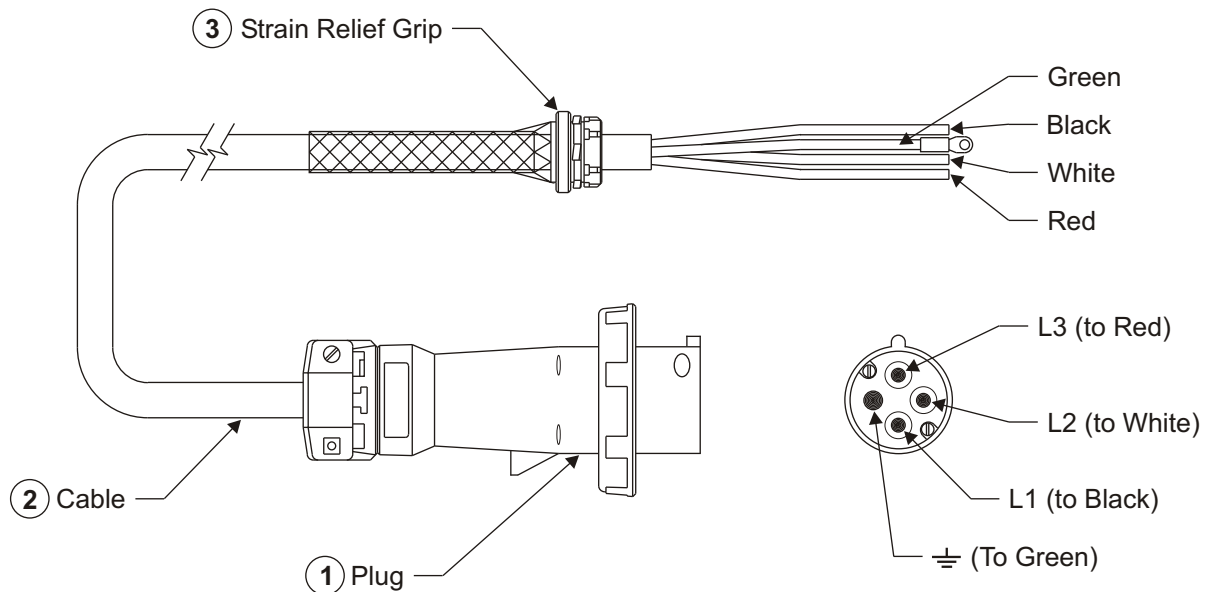


Options	Description	Catalog Number	Part Number
	30 AMP Blue 4 Wire Connector (item 1)	430C9W (HUBBELL)	02510-0070
	30 AMP Blue 4 Wire Plug	430P9W (HUBBELL)	02510-0075

1. Pin & Sleeve Cords and Mini OEP Box (OEP = Overhead Equipment Power)

30 AMP Blue 4 Wire Pin & Sleeve Power Cord

Model Number	30-PSP-4
Part Number	12360-0121
Cord Overall Length	6 Feet 6 Inches
Equipment Application	ANTUNES Toaster
Electrical Ratings	30A 3Ø 250V 3 Pole 4 Wire Grounding
Wiring Device Type	Pin & Sleeve
Wiring Device Description	HUBBELL Plug Catalog No. 430P9W (item 1)
Cable Type	10/4 STO 60°C (item 2)
Strain Relief Grip	Kellems HUBBELL Catalog No. 073-03-1204 (item 3)

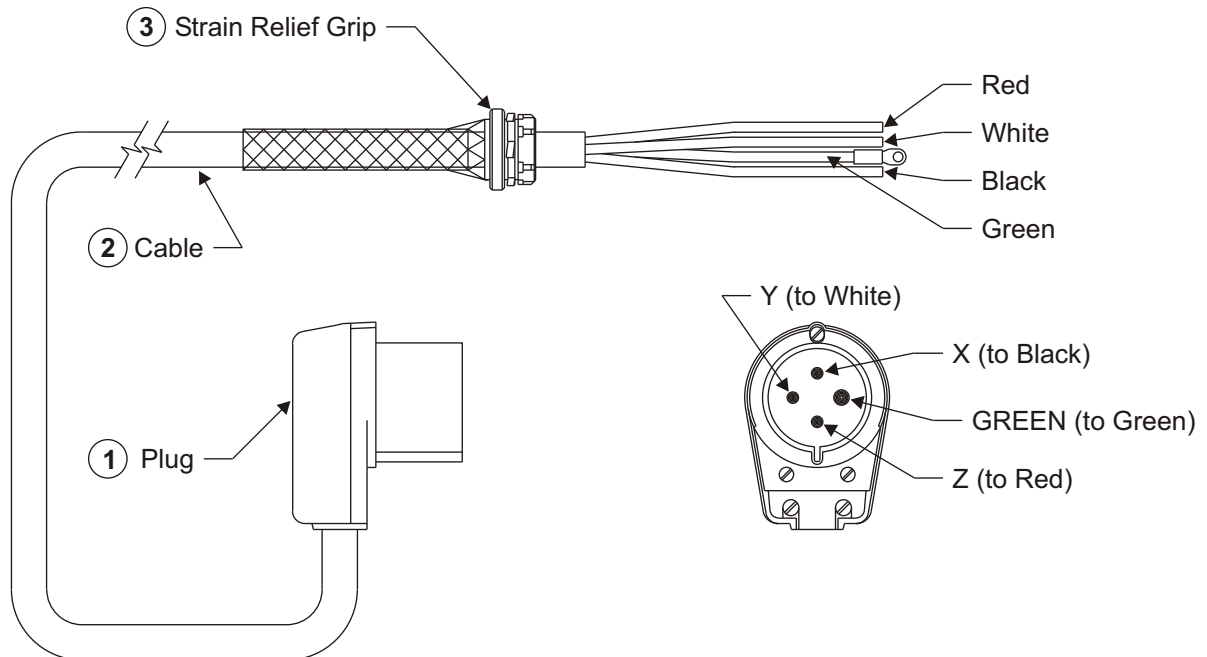


Options	Description	Catalog Number	Part Number
	30 AMP Blue 4 Wire Plug (item 1)	430P9W (HUBBELL)	02510-0075
	30 AMP Blue 4 Wire Connector	430C9W (HUBBELL)	02510-0070

2. Low Profile Pin & Sleeve Power Cords (Pin & Sleeve = P&S)

30A Blue Low Profile P&S Power Cord

Model Number	30-LPPS-4
Part Number	12365-0040
Cord Overall Length	6 Feet
Equipment Application	<ul style="list-style-type: none"> • HOBART Convection Oven Model No. CN85MT • TAYLOR Shake Machine Model No. 5460 • WELLS Convection Oven Model No. M4200-3 • WELLS Hotcake Hotplate Model No. HH-1
Electrical Ratings	30A 3Ø 250V 3 Pole 4 Wire Grounding
Wiring Device Type	Low Profile Pin & Sleeve
Wiring Device Description	HUBBELL Plug Catalog No. L430P9 (item 1)
Cable Type	10/4 SO 90°C (item 2)
Strain Relief Grip	Kellems HUBBELL Catalog No. 073-03-1204 (item 3)

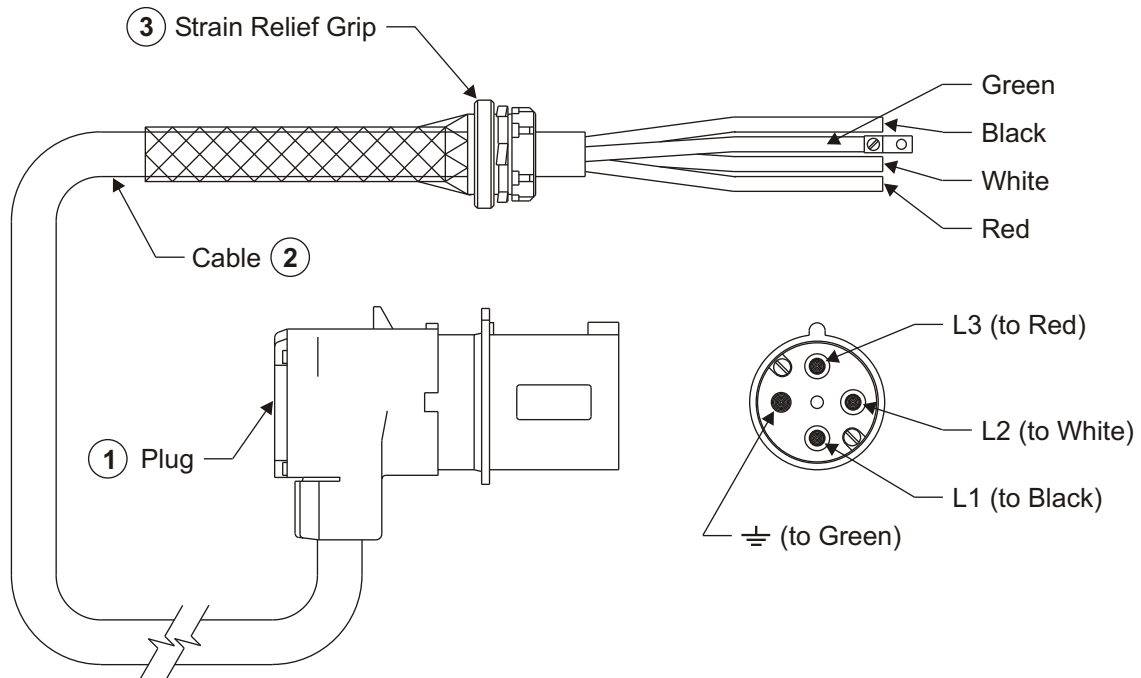


Options	Description	Catalog Number	Part Number
	30A Blue Low Profile P&S Receptacle	L430R9 (HUBBELL)	02510-0180
	30A Blue Low Profile P&S Receptacle S/Steel	L430RE9 (HUBBELL)	02510-0185
	30A Blue Low Profile P&S Plug (item 1)	L430P9 (HUBBELL)	02510-0190

2. Low Profile Pin & Sleeve Power Cords (Pin & Sleeve = P&S)

60A Blue Low Profile P&S Power Cord

Model Number	60-LPPS-4
Part Number	12365-0060
Cord Overall Length	9 Feet
Equipment Application	<ul style="list-style-type: none"> • TAYLOR Double Shake Model No. 481, 482 • TAYLOR Shake/Sundae Combo Model No. 8664 • TAYLOR Twist Model No. 8756S
Electrical Ratings	60A 3Ø 250V 3 Pole 4 Wire Grounding
Wiring Device Type	Low Profile Pin & Sleeve
Wiring Device Description	HUBBELL Plug Catalog No. A460P9 (item 1)
Cable Type	6/4 SO 90°C (item 2)
Strain Relief Grip	Kellems HUBBELL Catalog No. 073-03-1205 (item 3)

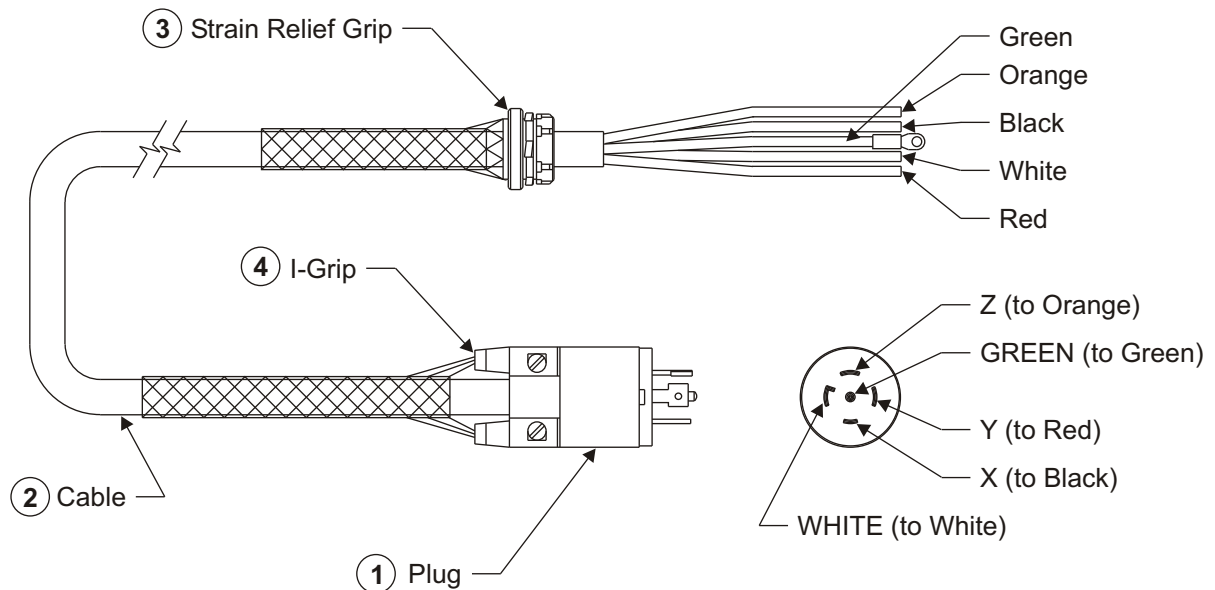


Options	Description	Catalog Number	Part Number
	60A Blue Low Profile P&S Receptacle	A460R9 (HUBBELL)	02510-0220
	60A Blue Low Profile P&S Plug (item 1)	A460P9 (HUBBELL)	02510-0230

3. Twist-Lock and Straight Blade Cords (Twist-Lock = T-L, Straight Blade = S/B)

30 AMP T-L 5 Wire High Voltage Power Cord

Model Number	30-T-5HV
Part Number	12370-0025
Cord Overall Length	8 Feet
Equipment Application	Clamshell Grills, Electric Fryers International
Electrical Ratings	30A 3Ø 277/480V 4 Pole 5 Wire Grounding
Wiring Device Type	Twist-Lock
Wiring Device Description	HUBBELL Plug Catalog No. 2821 (item 1)
Cable Type	10/5 SO 90°C (item 2)
Strain Relief Grip & I-Grip	Kellems HUBBELL Catalog No. 073-03-1204 & 073-10-005 (items 3 & 4)

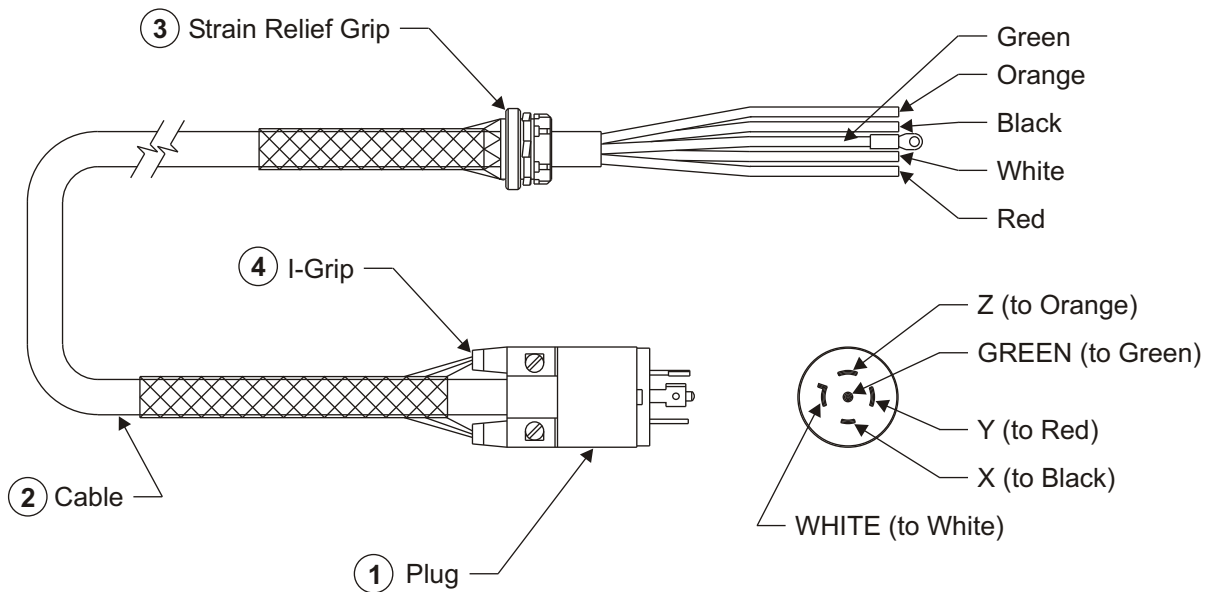


Options	Description	Model Number	Part Number
	30 AMP T-L 5 Wire HV Receptacle with Faceplate	30-TR-5HV	12370-0026
	Angle Adapter for Insulgrip Plug	HBL45WAA (HUBBELL)	02515-0171

3. Twist-Lock and Straight Blade Cords (Twist-Lock = T-L, Straight Blade = S/B)

20 AMP T-L 5 Wire High Voltage Power Cord

Model Number	20-T-5HV
Part Number	12370-0027
Cord Overall Length	8 Feet
Equipment Application	TAYLOR Model No. 231 International
Electrical Ratings	20A 3Ø 277/480V 4 Pole 5 Wire Grounding
Wiring Device Type	Twist-Lock
Wiring Device Description	HUBBELL Plug Catalog No. 2521 (item 1)
Cable Type	12/5 SO 90°C (item 2)
Strain Relief Grip & I-Grip	Kellems HUBBELL Catalog No. 073-03-1204 & 073-10-005 (items 3 & 4)

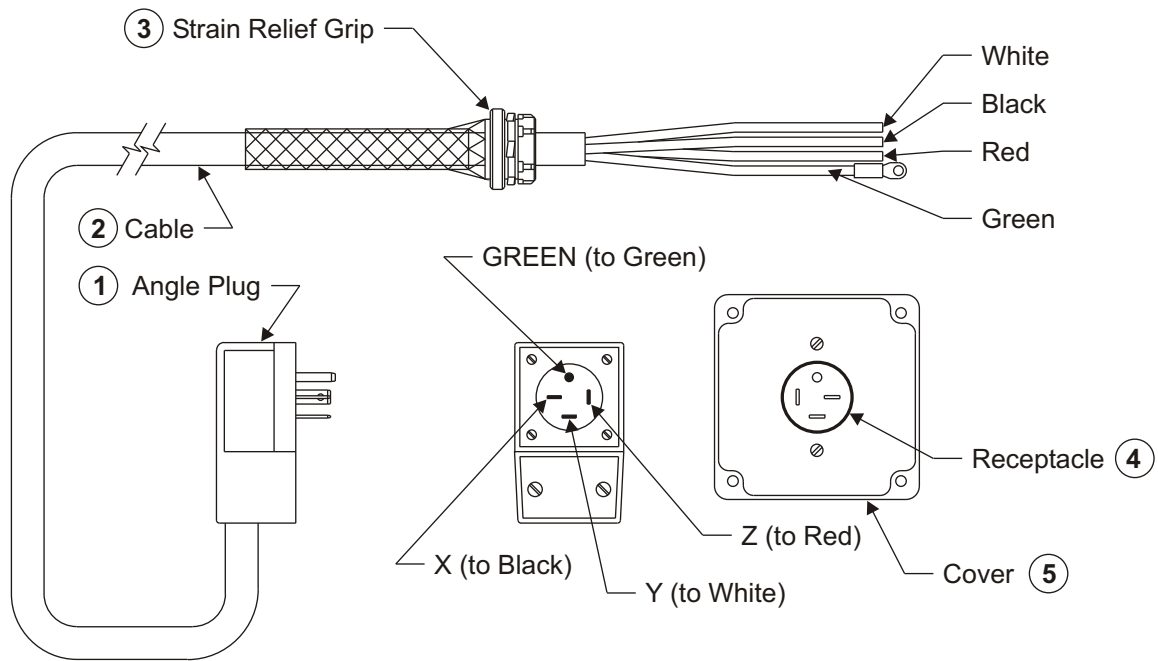


Option	Description	Catalog Number	Part Number
	20 AMP T-L 5 Wire HV Receptacle	2520A (HUBBELL)	02515-0132

3. Twist-Lock and Straight Blade Cords (Twist-Lock = T-L, Straight Blade = S/B)

20 AMP S/B Angle 4 Wire Power Cord Set

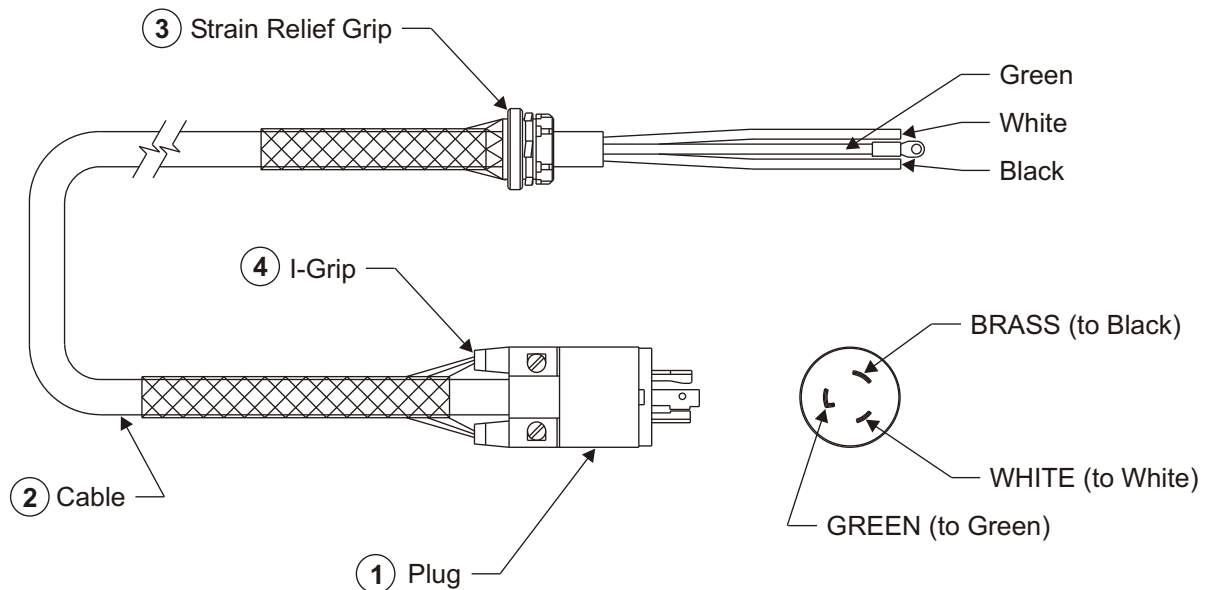
Model Number	20-R-4W
Part Number	12370-0034
Cord Overall Length	8 Feet
Equipment Application	Ice Maker (208/240V)
Electrical Ratings	20A 3Ø 250V 3 Pole 4 Wire Grounding
Wiring Device Type	Straight Blade
Wiring Device Description	<ul style="list-style-type: none"> • HUBBELL Angle Plug Catalog No. 8421C (item 1) • HUBBELL Receptacle Catalog No. 8420 (item 4) • Steel City THOMAS & BETTS Cover Catalog No. RS-11 (item 5)
Cable Type	12/4 STO 60°C (item 2)
Strain Relief Grip	Kellems HUBBELL Catalog No. 073-03-1203 (item 3)



3. Twist-Lock and Straight Blade Cords (Twist-Lock = T-L, Straight Blade = S/B)

3 Wire Ansul Control Cord

Model Number	20-FC-3
Part Number	12370-0037
Cord Overall Length	8 Feet
Equipment Application	Grills & Fryers with 3 Wire Ansul Control (120V)
Electrical Ratings	20A 125V 2 Pole 3 Wire Grounding
Wiring Device Type	Twist-Lock
Wiring Device Description	HUBBELL Plug Catalog No. 2311 (item 1)
Cable Type	12/3 STO 60°C (item 2)
Strain Relief Grip & I-Grip	Kellems HUBBELL Catalog No. 073-03-1203 & 073-10-004 (items 3 & 4)

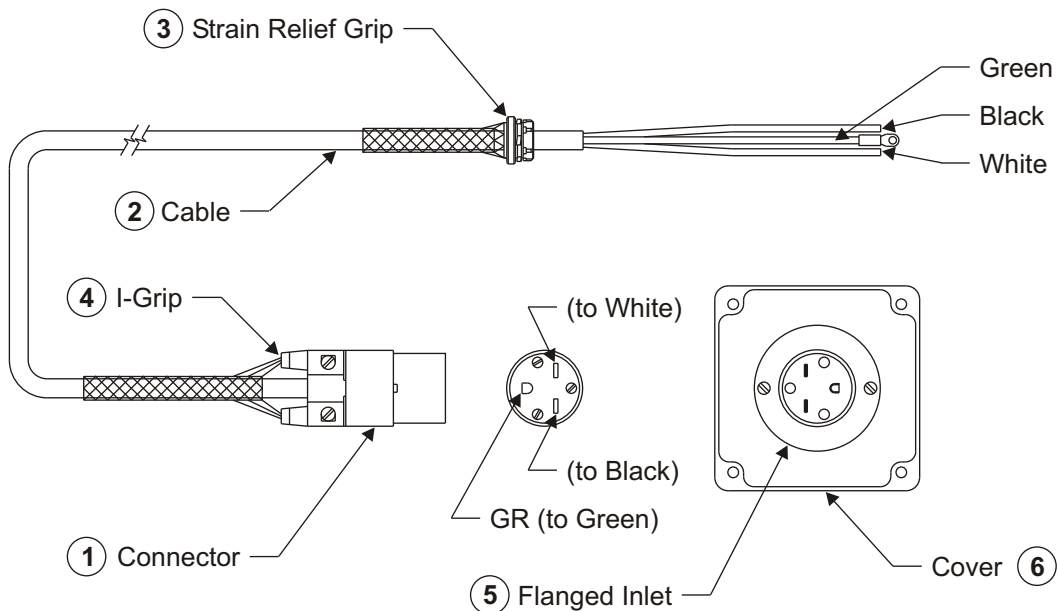


Option	Description	Catalog Number	Part Number
	3 Wire Ansul Control Receptacle	2310A (HUBBELL)	02515-0110

3. Twist-Lock and Straight Blade Cords (Twist-Lock = T-L, Straight Blade = S/B)

Remote Condenser Cord Set

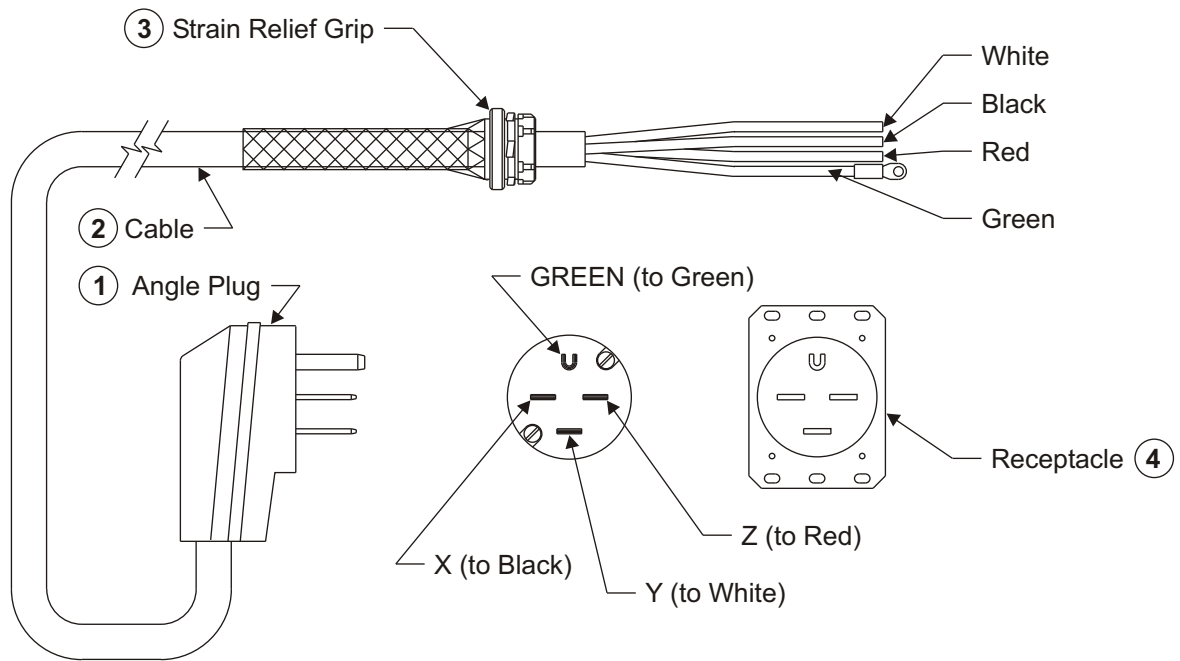
Model Number	15-C-3
Part Number	12370-0040
Cord Overall Length	9 Feet
Equipment Application	Remote Condenser for Ice Maker
Electrical Ratings	15A 250V 2 Pole 3 Wire Grounding
Wiring Device Type	Straight Blade
Wiring Device Description	<ul style="list-style-type: none"> • HUBBELL Connector Catalog No. HBL5669C (item 1) • HUBBELL Flanged Inlet Catalog No. HBL5678C (item 5) • Steel City THOMAS & BETTS Cover Catalog No. RS-15 (item 6)
Cable Type	14/3 SJOW 60°C (item 2)
Strain Relief Grip & I-Grip	Kellems HUBBELL Catalog No. 073-03-1201 & 073-10-001 (items 3 & 4)



3. Twist-Lock and Straight Blade Cords (Twist-Lock = T-L, Straight Blade = S/B)

30 AMP S/B Angle 4 Wire Power Cord Set

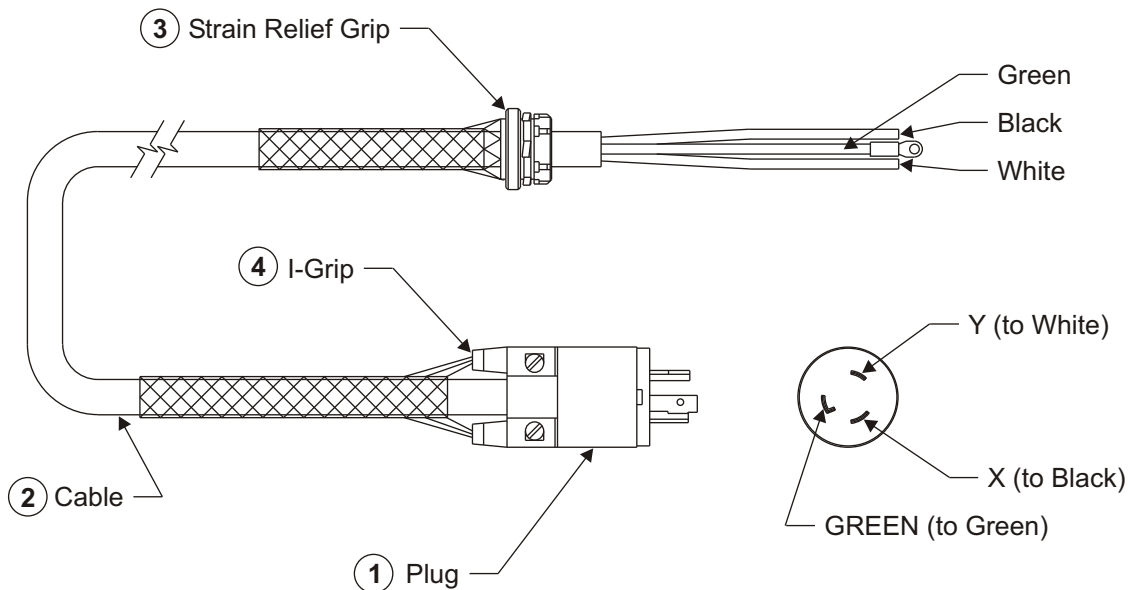
Model Number	30-R-4W
Part Number	12370-0045
Cord Overall Length	8 Feet
Equipment Application	Ice Maker (208/240V)
Electrical Ratings	30A 3Ø 250V 3 Pole 4 Wire Grounding
Wiring Device Type	Straight Blade
Wiring Device Description	<ul style="list-style-type: none"> • HUBBELL Angle Plug Catalog No. 8432C (item 1) • HUBBELL Receptacle Catalog No. 8430A (item 4)
Cable Type	10/4 SO 90°C (item 2)
Strain Relief Grip	Kellems HUBBELL Catalog No. 073-03-1204 (item 3)



3. Twist-Lock and Straight Blade Cords (Twist-Lock = T-L, Straight Blade = S/B)

30 AMP T-L 3 Wire Power Cord

Model Number	30-T-3
Part Number	12370-0070
Cord Overall Length	8 Feet
Equipment Application	Ice Maker (220V)
Electrical Ratings	30A 250V 2 Pole 3 Wire Grounding
Wiring Device Type	Twist-Lock
Wiring Device Description	HUBBELL Plug Catalog No. 2621 (item 1)
Cable Type	10/3 STO 60°C (item 2)
Strain Relief Grip & I-Grip	Kellems HUBBELL Catalog No. 073-03-1203 & 073-10-004 (items 3 & 4)

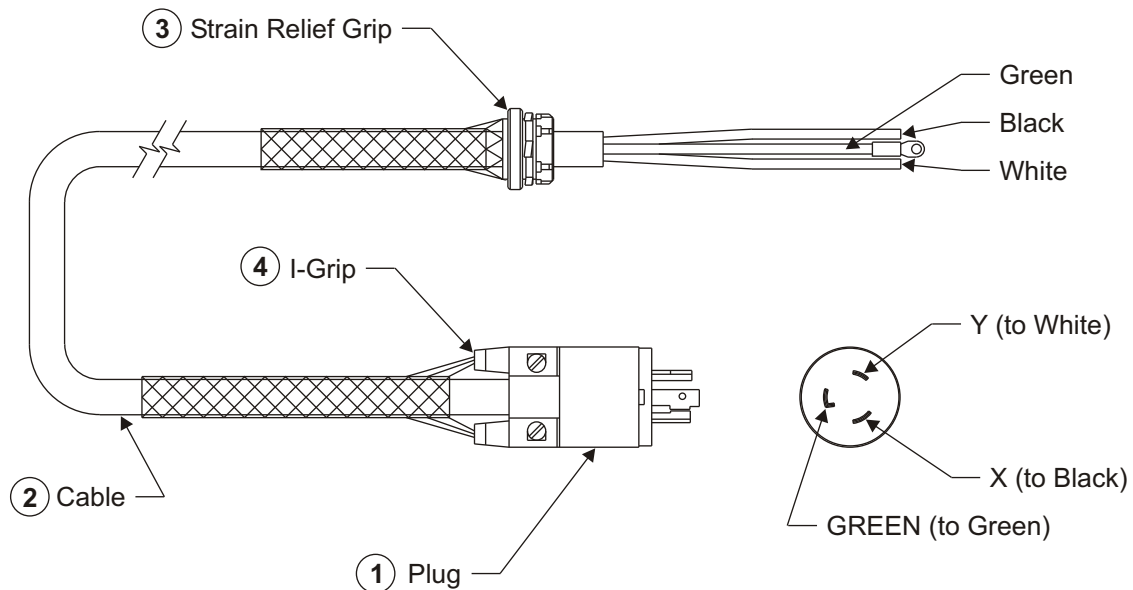


Option	Description	Model Number	Part Number
	30 AMP T-L 3 Wire Receptacle with Faceplate	30-TR-3	12370-0071

3. Twist-Lock and Straight Blade Cords (Twist-Lock = T-L, Straight Blade = S/B)

20 AMP T-L 3 Wire Power Cord

Model Number	20-T-3
Part Number	12370-0072
Cord Overall Length	8 Feet
Equipment Application	General Purpose Power Cord (220V)
Electrical Ratings	20A 250V 2 Pole 3 Wire Grounding
Wiring Device Type	Twist-Lock
Wiring Device Description	HUBBELL Plug Catalog No. 2321 (item 1)
Cable Type	12/3 STO 60°C (item 2)
Strain Relief Grip & I-Grip	Kellems HUBBELL Catalog No. 073-03-1203 & 073-10-004 (items 3 & 4)

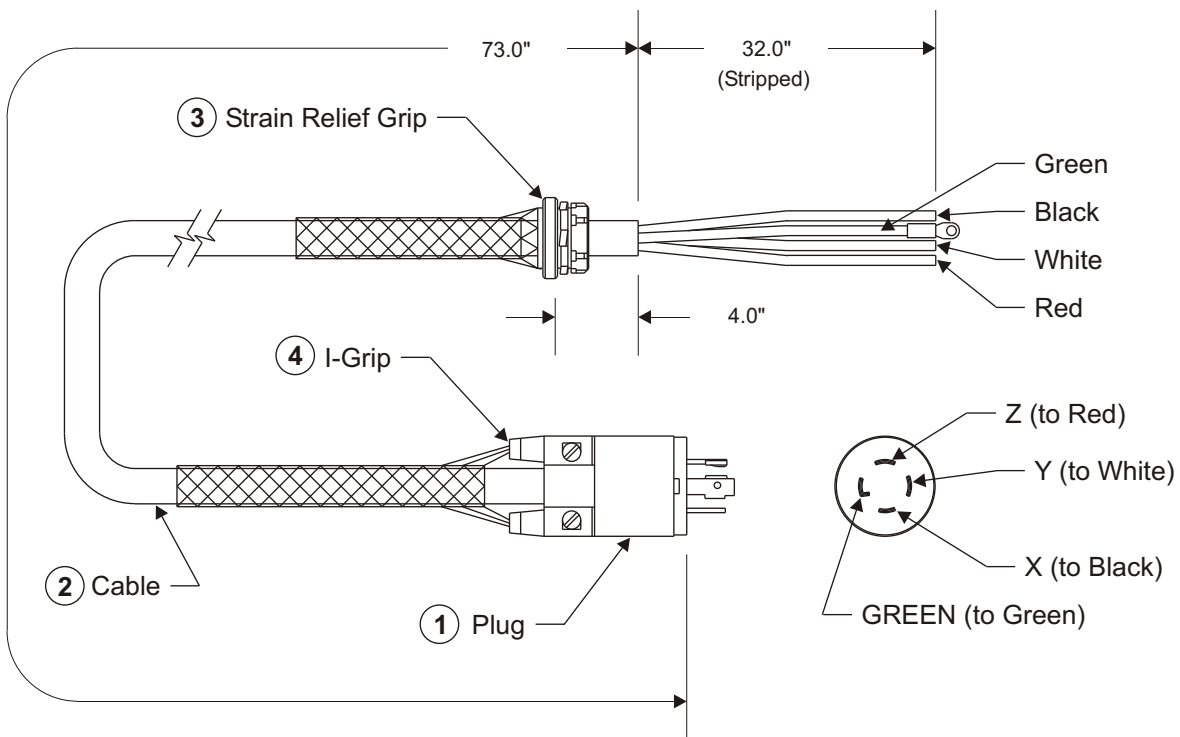


Option	Description	Model Number	Part Number
	20 AMP T-L 3 Wire Receptacle with Faceplate	20-TR-3	12370-0073

3. Twist-Lock and Straight Blade Cords (Twist-Lock = T-L, Straight Blade = S/B)

30 AMP T-L 4 Wire Extra Long Power Cord

Model Number	30-T-4XL
Part Number	12370-1520
Cord Overall Length	8 Feet 9 Inches
Equipment Application	TAYLOR Gas/Electric Clamshell Grill Model No. 15 (208/240V)
Electrical Ratings	30A 3Ø 250V 3 Pole 4 Wire Grounding
Wiring Device Type	Twist-Lock
Wiring Device Description	HUBBELL Plug Catalog No. 2721 (item 1)
Cable Type	10/4 SO 90°C (item 2)
Strain Relief Grip & I-Grip	Kellems HUBBELL Catalog No. 073-03-1204 & 073-10-005 (items 3 & 4)

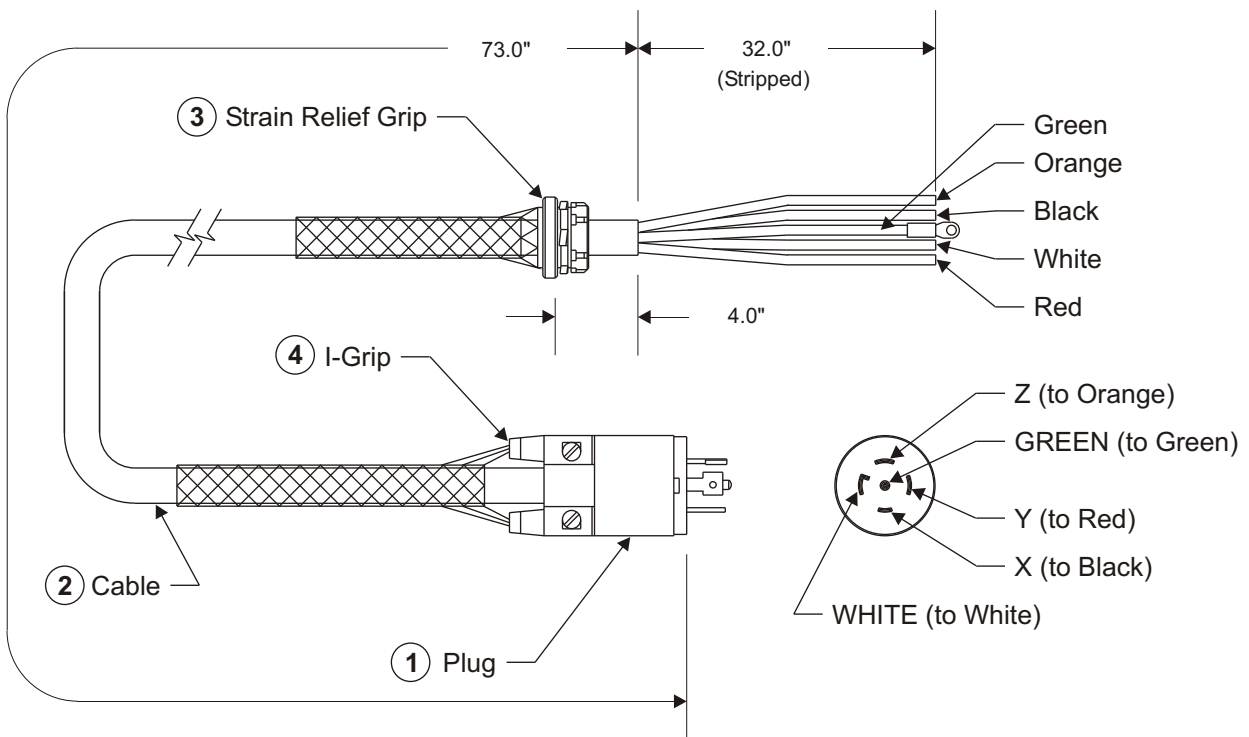


Options	Description	Catalog Number	Part Number
	30 AMP T-L 4 Wire Receptacle	2720A (HUBBELL)	02515-0155
	Angle Adapter for Insulgrip Plug	HBL45WAA (HUBBELL)	02515-0171

3. Twist-Lock and Straight Blade Cords (Twist-Lock = T-L, Straight Blade = S/B)

30 AMP T-L 5 Wire Extra Long Power Cord

Model Number	30-T-5HV-XL
Part Number	12370-1525
Cord Overall Length	8 Feet 9 Inches
Equipment Application	TAYLOR Gas/Electric Clamshell Grill Model No. 15 (277V)
Electrical Ratings	30A 3Ø 277/480V 4 Pole 5 Wire Grounding
Wiring Device Type	Twist-Lock
Wiring Device Description	HUBBELL Plug Catalog No. 2821 (item 1)
Cable Type	10/5 SO 90°C (item 2)
Strain Relief Grip & I-Grip	Kellems HUBBELL Catalog No. 073-03-1204 & 073-10-005 (items 3 & 4)

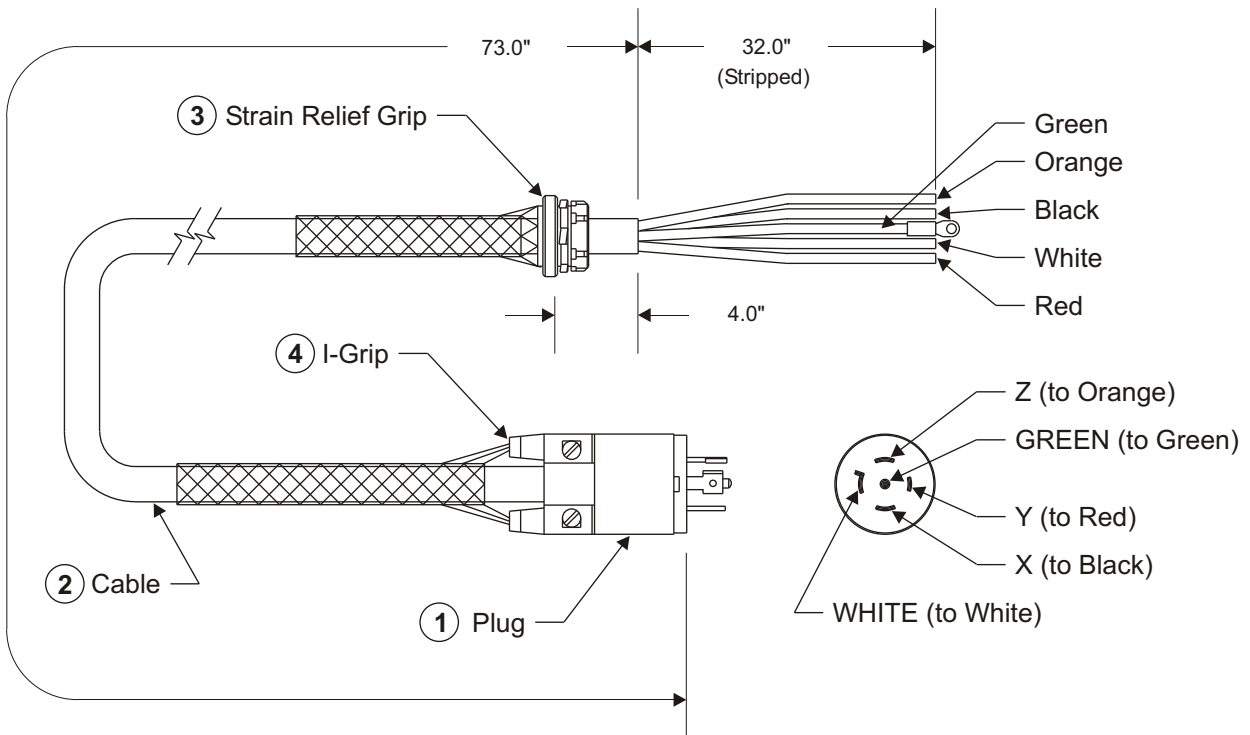


Options	Description	Model Number	Part Number
	30 AMP T-L 5 Wire HV Receptacle with Faceplate	30-TR-5HV	12370-0026
	Angle Adapter for Insulgrip Plug	HBL45WAA (HUBBELL)	02515-0171

3. Twist-Lock and Straight Blade Cords (Twist-Lock = T-L, Straight Blade = S/B)

5 Wire Extra Long Ansul Control Cord

Model Number	20-FC-5XL
Part Number	12370-1530
Cord Overall Length	8 Feet 9 Inches
Equipment Application	Grills & Fryers with 5 Wire Ansul Control (120V)
Electrical Ratings	20A 120/208V 4 Pole 5 Wire Grounding
Wiring Device Type	Twist-Lock
Wiring Device Description	HUBBELL Plug Catalog No. 2511 (item 1)
Cable Type	12/5 SO 90°C (item 2)
Strain Relief Grip & I-Grip	Kellems HUBBELL Catalog No. 073-03-1204 & 073-10-005 (items 3 & 4)

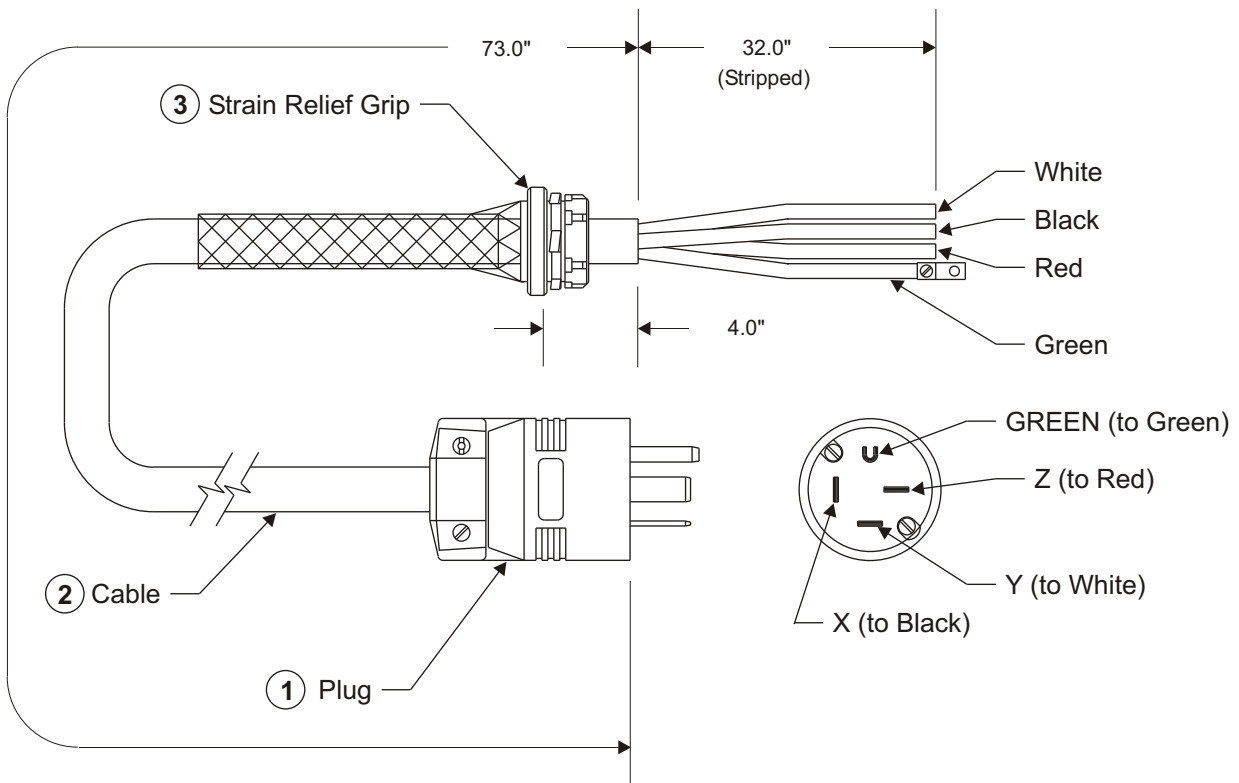


Options	Description	Model Number	Part Number
	5 Wire Ansul Control Receptacle with Faceplate	20-FCR-5	12370-0031
	Angle Adapter for Insulgrip Plug	HBL45WAA (HUBBELL)	02515-0171

3. Twist-Lock and Straight Blade Cords (Twist-Lock = T-L, Straight Blade = S/B)

50 AMP S/B 4 Wire Extra Long Power Cord

Model Number	50-S-4XL
Part Number	12370-1556
Cord Overall Length	8 Feet 9 Inches
Equipment Application	TAYLOR Clamshell Grill Model No. 11, 12 (208/240V)
Electrical Ratings	50A 3Ø 250V 3 Pole 4 Wire Grounding
Wiring Device Type	Straight Blade
Wiring Device Description	HUBBELL Plug Catalog No. 8451C (item 1)
Cable Type	6/4 SO 90°C (item 2)
Strain Relief Grip	Kellems HUBBELL Catalog No. 073-03-1205 (item 3)

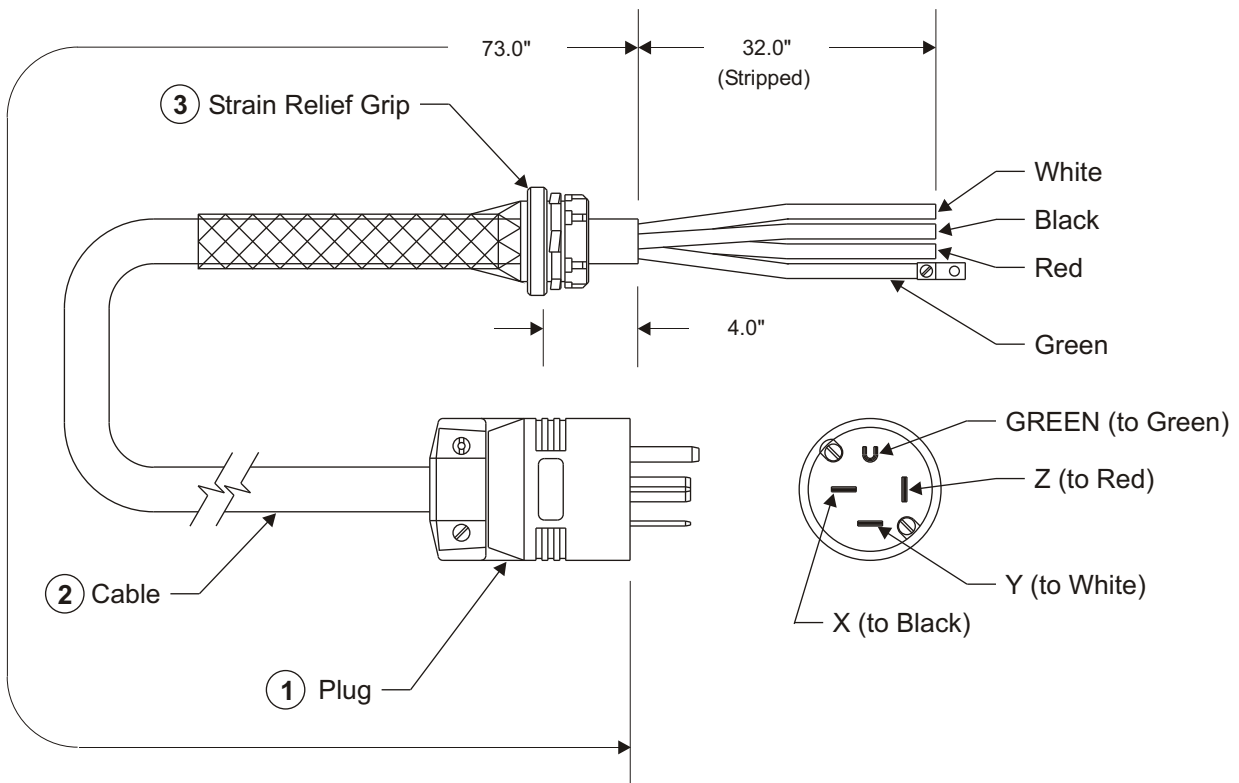


Option	Description	Model Number	Part Number
	50 AMP S/B 4 Wire Receptacle	8450A (HUBBELL)	02515-0040

3. Twist-Lock and Straight Blade Cords (Twist-Lock = T-L, Straight Blade = S/B)

60 AMP S/B 4 Wire Extra Long Power Cord

Model Number	60-S-4XL
Part Number	12370-1562
Cord Overall Length	8 Feet 9 Inches
Equipment Application	<ul style="list-style-type: none"> • TAYLOR Flat Grill Model No. 13 (208/240V) • Electric Fryers (208/240V)
Electrical Ratings	60A 3Ø 250V 3 Pole 4 Wire Grounding
Wiring Device Type	Straight Blade
Wiring Device Description	HUBBELL Plug Catalog No. 8461C (item 1)
Cable Type	6/4 SO 90°C (item 2)
Strain Relief Grip	Kellems HUBBELL Catalog No. 073-03-1205 (item 3)

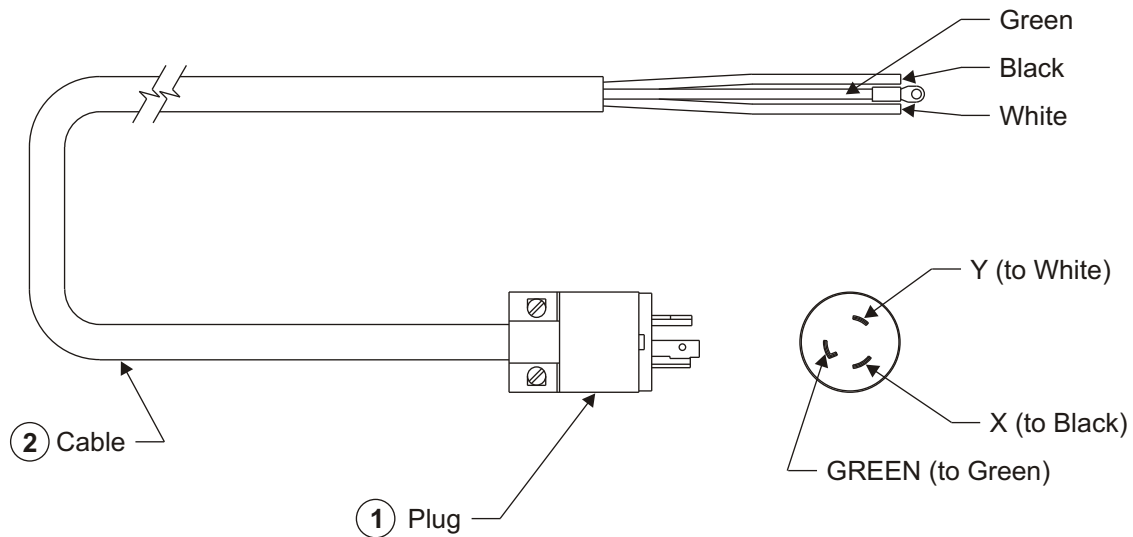


Option	Description	Catalog Number	Part Number
	60 AMP S/B 4 Wire Receptacle	8460A (HUBBELL)	02515-0055

3. Twist-Lock and Straight Blade Cords (Twist-Lock = T-L, Straight Blade = S/B)

30 AMP T-L 3 Wire Extra Long Power Cord

Model Number	30-T-3XL
Part Number	12370-1570
Cord Overall Length	10 Feet
Equipment Application	Ice Maker (220V)
Electrical Ratings	30A 250V 2 Pole 3 Wire Grounding
Wiring Device Type	Twist-Lock
Wiring Device Description	HUBBELL Plug Catalog No. 2621 (item 1)
Cable Type	10/3 STO 60°C (item 2)

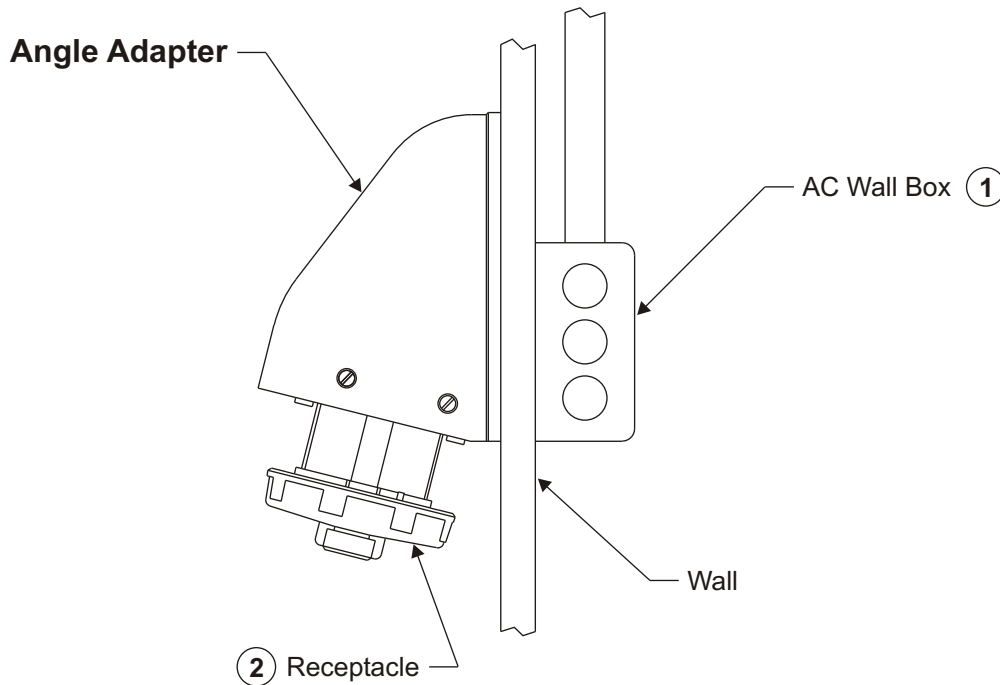


Option	Description	Model Number	Part Number
	30 AMP T-L 3 Wire Receptacle with Faceplate	30-TR-3	12370-0071

4. Miscellaneous P&S Products and Wiring Devices (P&S = Pin & Sleeve)

Angle Adapter for 20/30A P&S Receptacles

Catalog Number	AA2030PS (HUBBELL)
Part Number	02510-0028
Adapter Application	Mounted to a standard AC Wall Box (item 1) recessed into the Wall
Equipment Application	<ul style="list-style-type: none"> • Used for placement of Kitchen Equipment near wall • Used for prewarm prior to placement in preparation line
Electrical Ratings	20/30A

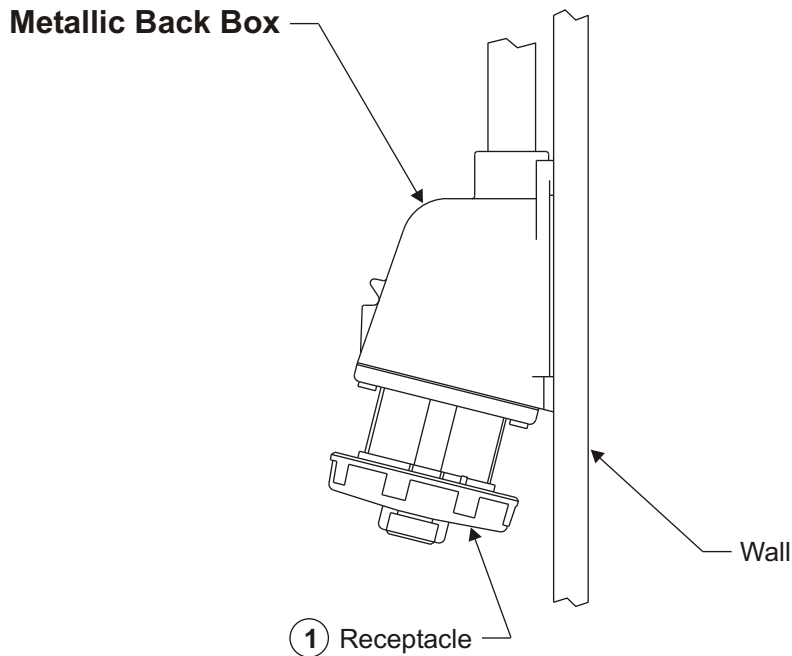


Options	Description	Model/Catalog Number	Part Number
	20 AMP Yellow P&S Receptacle (item 2)	320R4W (HUBBELL)	02510-0025
	20 AMP Blue P&S Receptacle (item 2)	320R6W (HUBBELL)	02510-0026
	20 AMP Orange P&S Receptacle (item 2)	420R12W (HUBBELL)	02510-0045
	30 AMP Blue P&S Receptacle (item 2)	330R6W (HUBBELL)	02510-0065

4. Miscellaneous P&S Products and Wiring Devices (P&S = Pin & Sleeve)

Metallic Back Box for 20/30A P&S Receptacles

Catalog Number	BB201W (HUBBELL)
Part Number	02510-0029
Back Box Application	Mounted on a Wall surface
Equipment Application	<ul style="list-style-type: none"> • Used for placement of Kitchen Equipment near wall • Used for prewarm prior to placement in preparation line
Electrical Ratings	20/30A



Options	Description	Model/Catalog Number	Part Number
	20 AMP Yellow P&S Receptacle with Back Box	20-PSR-3B-125V	12380-0015
	20 AMP Orange P&S Receptacle with Back Box	20-PSR-4B	12380-0025
	20 AMP Blue P&S Receptacle with Back Box	20-PSR-3B	12380-0027
	30 AMP Blue P&S Receptacle with Back Box	30-PSR-3B	12380-0035
	20 AMP Yellow P&S Receptacle (item 1)	320R4W (HUBBELL)	02510-0025
	20 AMP Blue P&S Receptacle (item 1)	320R6W (HUBBELL)	02510-0026
	20 AMP Orange P&S Receptacle (item 1)	420R12W (HUBBELL)	02510-0045
	30 AMP Blue P&S Receptacle (item 1)	330R6W (HUBBELL)	02510-0065

No part of this Catalog may be used or reproduced
without prior written permission
of
AUTOMATED CONTROLS & SYSTEMS, LLC



AUTOMATED CONTROLS & SYSTEMS, LLC

925 A.E.C. Drive
Wood Dale, Illinois 60191-1143
Phone (630) 238-1516
Fax (630) 860-2934
www.a-c-s.com