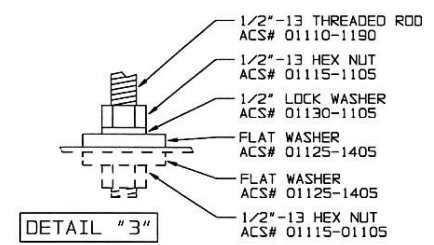
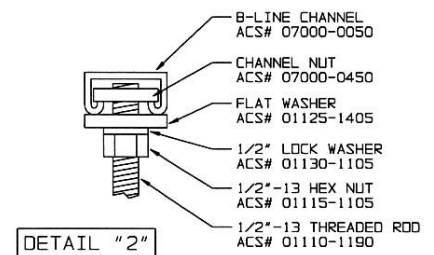
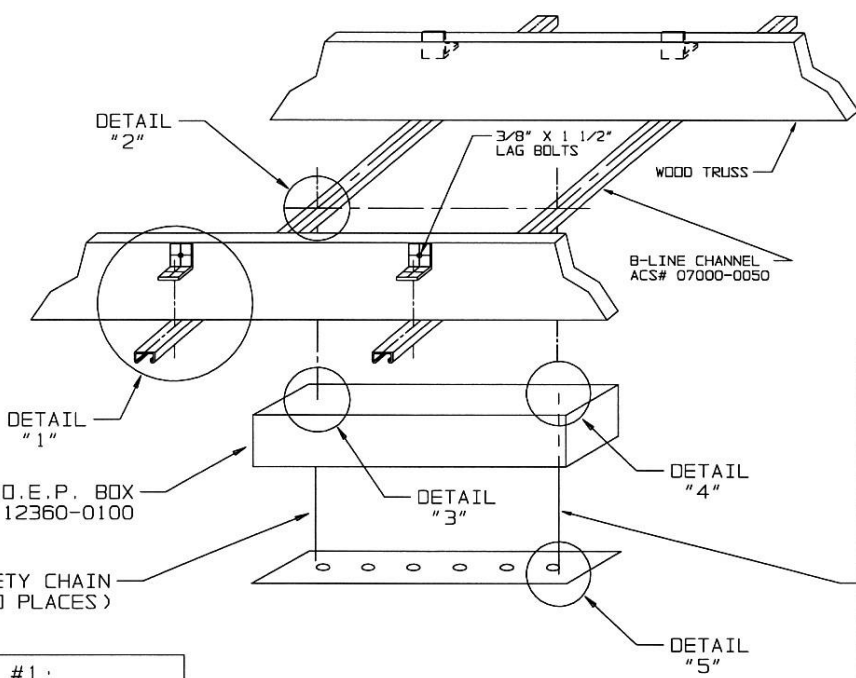
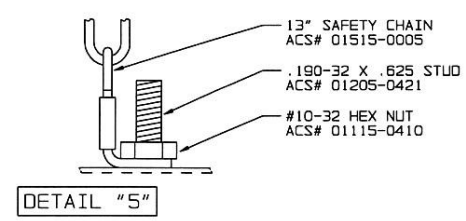
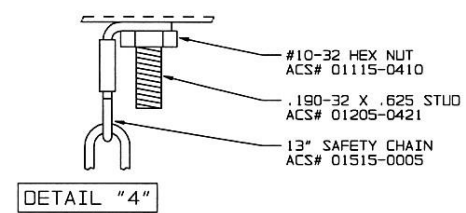


NOTE #1:
USE HANGING METHOD SHOWN IN DETAIL "1" IN ALL 4 CORNERS.



NOTE #2:
SAFETY CHAIN INSTALLATION
(TWO CHAINS HAVE TO BE INSTALLED)



WARNING!
SAFETY CHAINS MUST BE INSTALLED

WOOD TRUSS INSTALLATION instructions for MINI OEP Box